

Stock Code: **20130LEDDMG-BL**

Collection: Avalon

### PRODUCT INFORMATION

Base: 20130 Parent: 20130LEDDMG  
Mounting Type: Wall UPC: 641594241082  
Finish: Black  
Diffuser: N/A

### PRODUCT MEASUREMENTS

FIXTURE	BACKPLATE / CANOPY
Length:	Length .8"
Width: 9"	Width: 4.5"
Diameter	Diameter:
Height: 8"	Height: 8"
Extension: 10"	
Overall Height:	

### TECHNICAL SPECIFICATIONS

#### SPECIFICATIONS

Frame Material: Steel  
Diffuser Material: N/A  
Lamping Type: SSL (Dedicated LED) Jbox: Standard  
Lamping Base: SSL Lamp Wattage: 8 W  
Lamp Quantity: 1 Total Wattage: 8 W  
Voltage: 120v Lamps Included: Yes

#### QUALIFICATIONS

Location Rating Wet  
Certification: ETL (US/Canada) Listed  
ADA Compliant: No Energy Star: No  
JA8 Compliant: Outdoor Only Emergency Lighting: No  
Marine Grade Finish: Yes  
Warranty: 5 Year

#### PHOTOMETRICS

Dimmable: Yes Nominal Lumens 800 Lm  
CRI: 90 Delivered Lumens: 561 Lm  
CCT: 3000K  
Recommended Dimmers:  
(ELV)LUTRON Maestro CL MACL-153M; (TRIAC)LEVITON  
Decora Sureslide 6672; (ELV)LUTRON Maestro MAELV-600

#### ADDITIONAL NOTES

Custom Finish 100 Piece Minimum Order Quantity; Optional  
Color Temperature 100 Piece Minimum Order Quantity

Project Name: \_\_\_\_\_

Location: \_\_\_\_\_

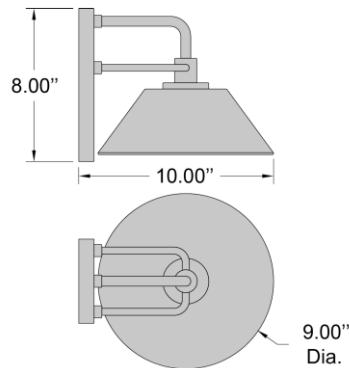
Type: \_\_\_\_\_

Quantity: \_\_\_\_\_

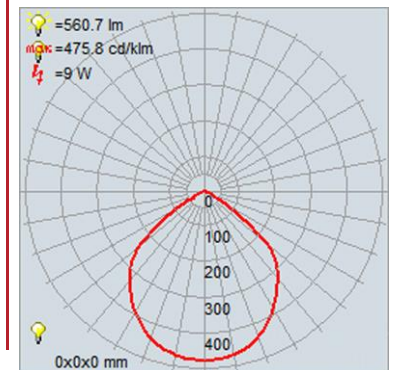
Notes: \_\_\_\_\_



#### LINE DRAWING



#### IES FILE



In addition to Access Lighting's purchase and warranty terms and conditions, by signing below or placing an order, you agree that you are authorized to bind the entity placing any order and acknowledge the following: All of sizes and measurements are approximate and all images are for illustrative purposes only. In the event of an inconsistency, the "Product Measurements" section controls. There also may be slight differences in the colors and designs compared to the displayed and printed images.

Signature: \_\_\_\_\_

Print Name \_\_\_\_\_ Date: \_\_\_\_\_

Toll Free 800-828-5483 [www.AccessLighting.com](http://www.AccessLighting.com)

14410 Myford Road, Irvine, CA 92606

The information is subject to change without notice. 12/22/2022 20130LEDDMG-BL.pdf

